

GEM Line Card Holder

REV 9/09

Colored Cage Card Holders with RFID Option



HH35PT5-2

Features:

- Available in multiple semi-transparent colors
- Lightweight auto-clavable molded plastic
- Horizontal and vertical orientations
- 3 x 5in and 75 x 100mm versions
- Available for competitor racks
- Patent pending

Options:

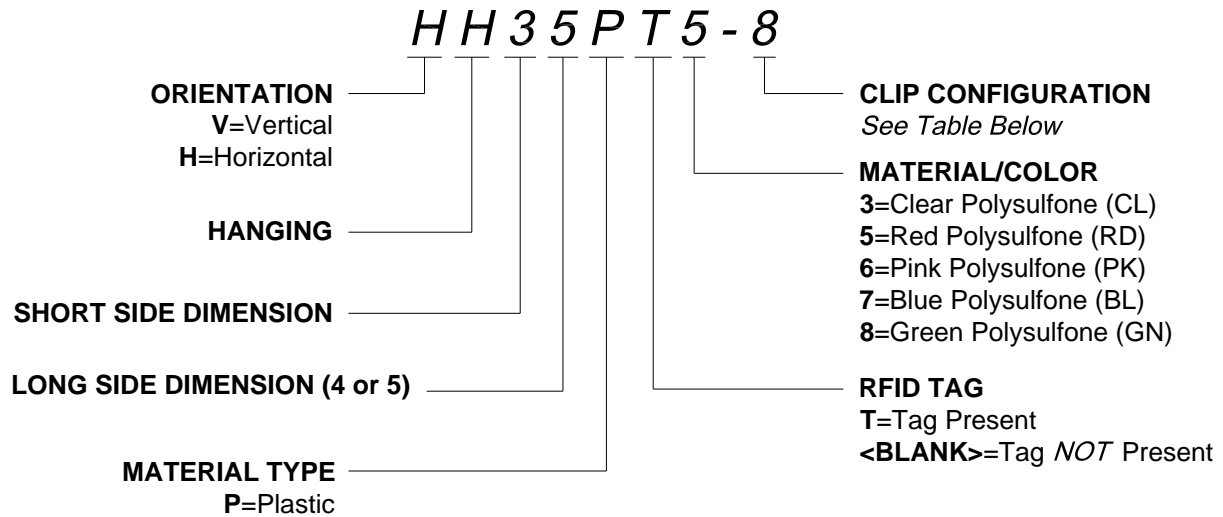
- Integrated RFID Tag
- Wi-Com Sensus Compatible

Application:



GEM Line Card Holder

Part Number Key:



No.	Cages Used On
-2	7115, 10147-Vent, lid mount, metal clip, flip up
-5	BCU mouse, metal clip, flip up, riveted version, centered
-6	T1,T2,T3,old mouse/rat BCU, hanging metal clip, no flip
-7	75J, cage mount, metal clip, flip up
-8	XJ, 10147-PNC, New BCU-rat, plastic clip, flip up
-9	75J, 7115 cage mount, metal clip, no flip
-10	T4 cage mount, hanging metal clip, no flip
-11	10147-vent, cage mount, offset metal clip, no flip
-12	75J, lid mount, metal clip, no flip
-13	BCU mouse, metal clip, flip up, snap in version
-14	10198-vent, lid mount, metal clip, flip up